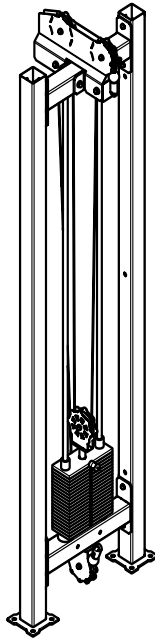


Sling Tower (Static Pulley)



KingsBox[®]
BUILDING BETTER HUMANS

ATTENZIONE!

Se la struttura non viene fissata a terra e/o al muro, può rib-altarsi e/o provocare danni a persone o oggetti in immediata vicinanza.

I bulloni per il fissaggio del rig a muro e/o al pavimento non sono inclusi nel pacco, in quanto per diversi tipi di muro e pavimentazione bisogna utilizzare diversi tipi di bulloni d'ancoraggio.

OPOZORILO!

Če se struktura prevrne, lahko pride do resnih telesnih poškodb. Da bi preprečili nevarnost, da se ta struktura prevrne, mora biti pritrjena na steno in / ali v tla.

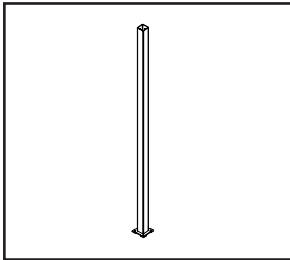
Vijaki za pritrjevanje strukture na steno oz. tla niso priloženi, saj različne sestave zidov oz. tal zahtevajo različne vrste pritrdilnih elementov. Uporabite take, ki ustrezajo sestavi vaše stene oz. tal.

WARNING!

If the structure is not secured to the ground and / or to the wall, it may overturn and / or cause damage to person or object in the immediate vicinity.

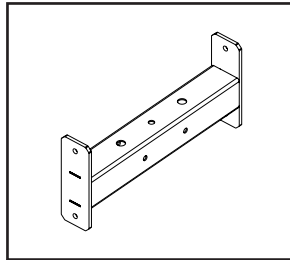
The fixing bolts for wall and / or floor are not included in the pack-age, since different types of anchor bolts must be used for different wall / floor types.

Assembly elements:



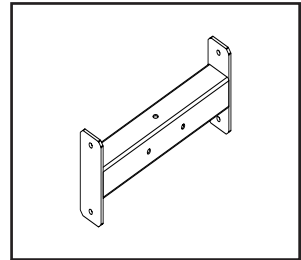
Position 1

**Pulley Tower
Upright**



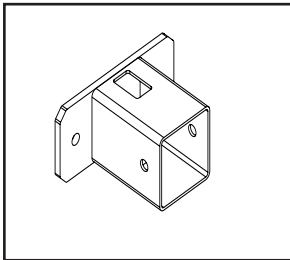
Position 2

**PT_connecting
profile_bottom**



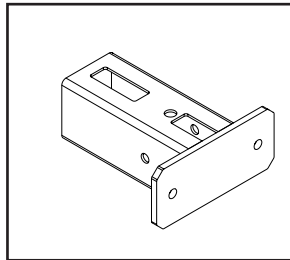
Position 3

**Pulley Tower_
connecting profile**



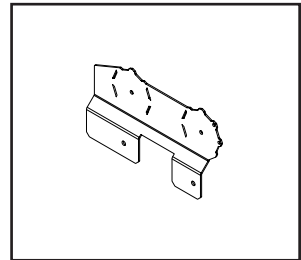
Position 4

**PT_Static Pulley
Profile**



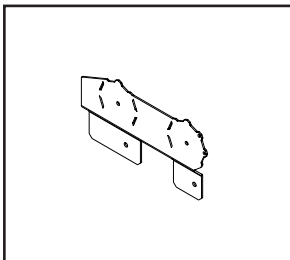
Position 5

PT_niversal profile



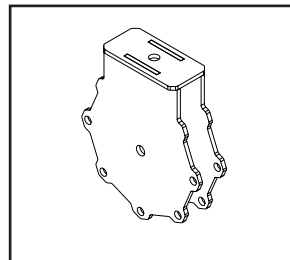
Position 6

**PT_Static Pulley
Plate_L**



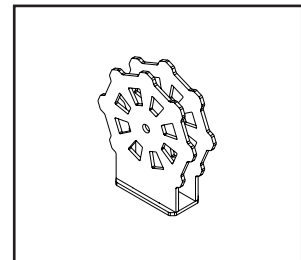
Position 7

**PT_Static Pulley
Plate_D**



Position 8

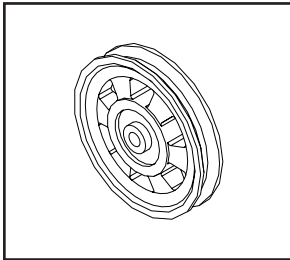
**PT_Single Pulley
Holder**



Position 9

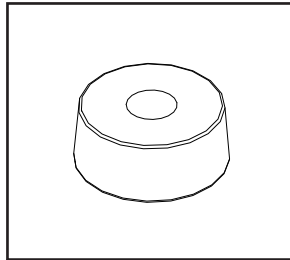
**PT_Stack Pulley
Holder**

Assembly elements:



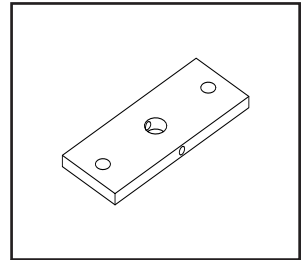
Position 10

Belt Pulley f114



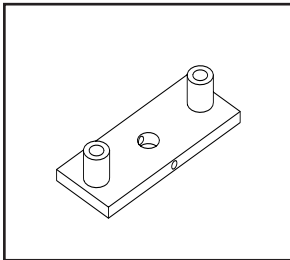
Position 11

WS_Rubber Cushion



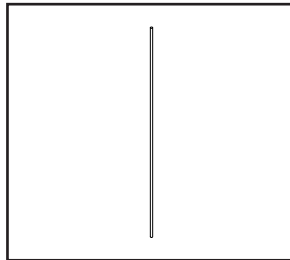
Position 12

WS-50_Weight Stack



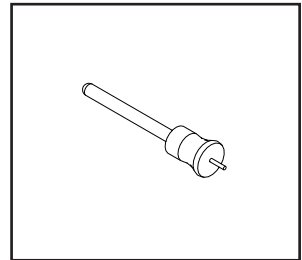
Position 13

WS-50_Top plate



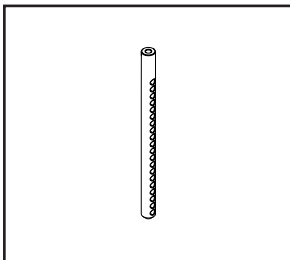
Position 14

WS_Guide Rod



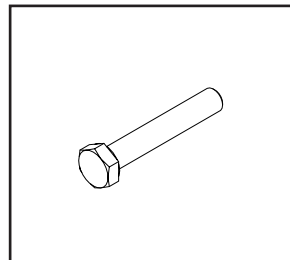
Position 15

WS_Pin



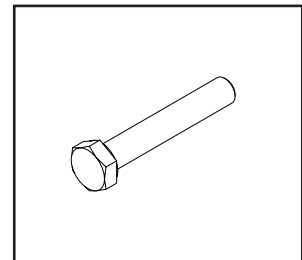
Position 16

**WS_Selector
Bar_50KG**



Position 17

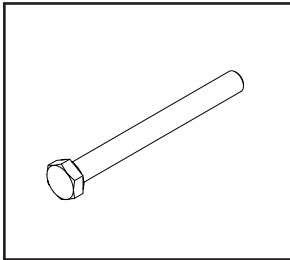
M10x40



Position 18

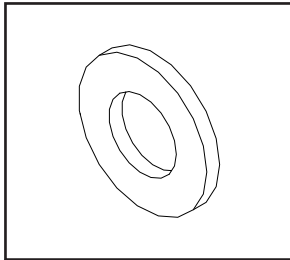
M10x60

Assembly elements:



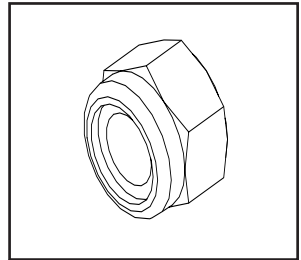
Position 19

M10x100



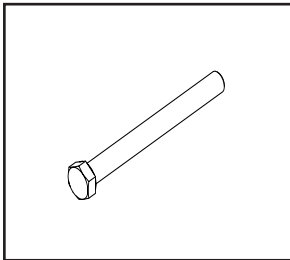
Position 20

M10 Washer



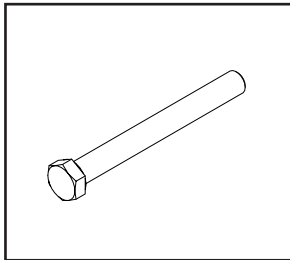
Position 21

M10 Nut



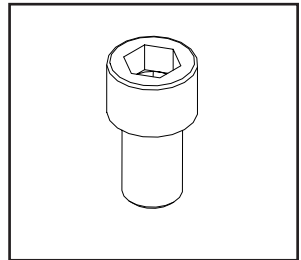
Position 22

M12x120



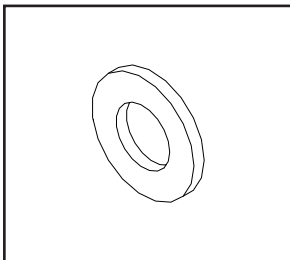
Position 23

M12x110



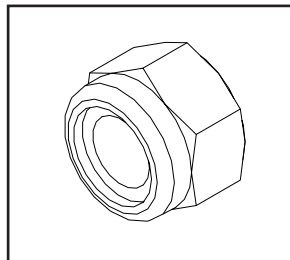
Position 24

M12x35 imbus



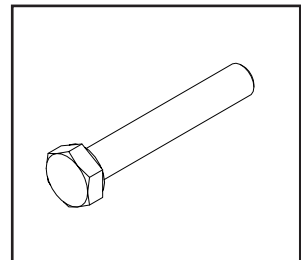
Position 25

M12 Washer



Position 26

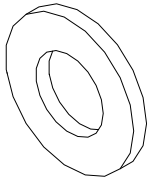
M12 Nut



Position 27

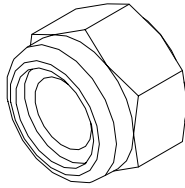
M6x50

Assembly elements:



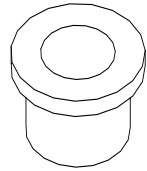
Position 28

M6 Washer



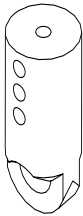
Position 29

M6 Nut



Position 30

Bushing fi 14-10

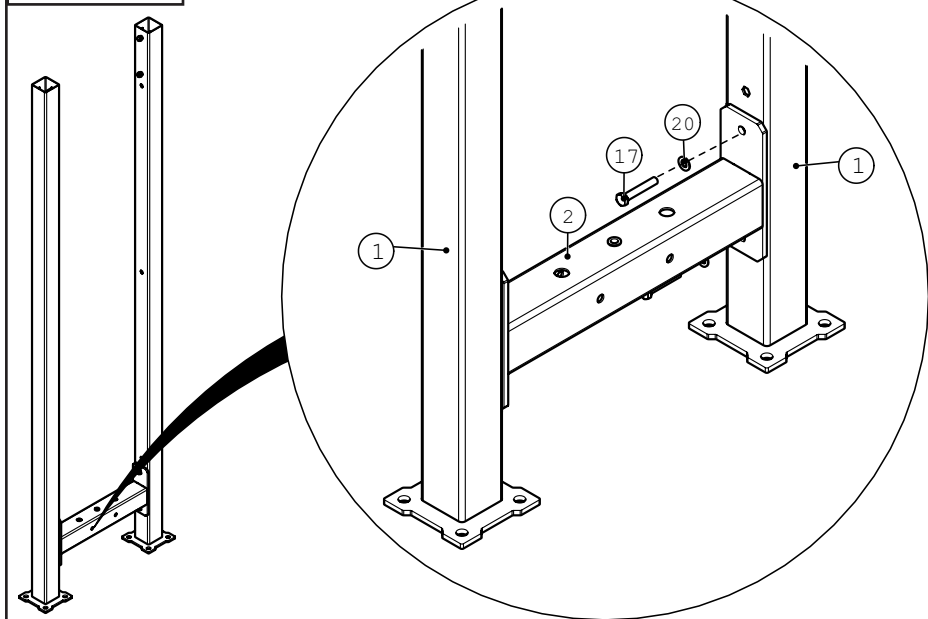


Position 31

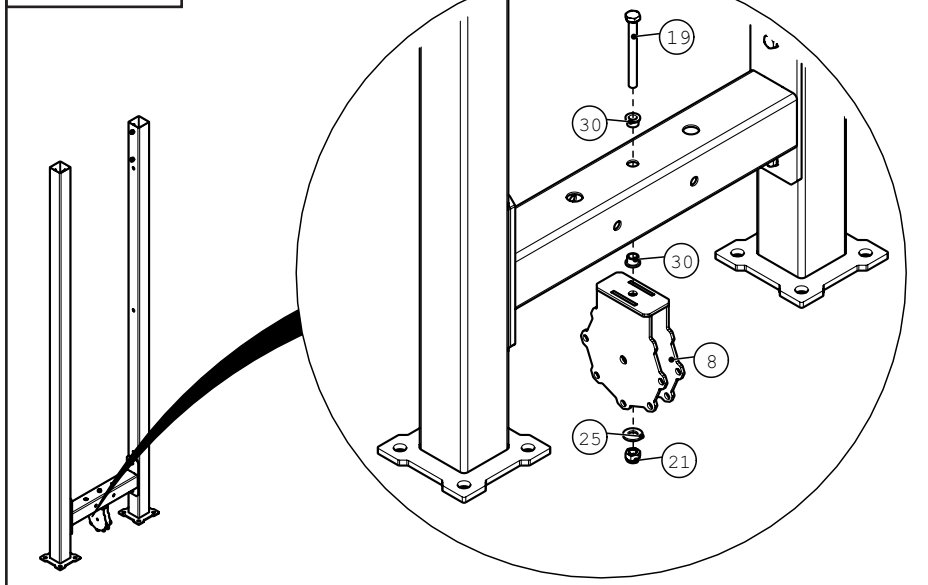
Cable Termination

Assembly instruction:

STEP: 1

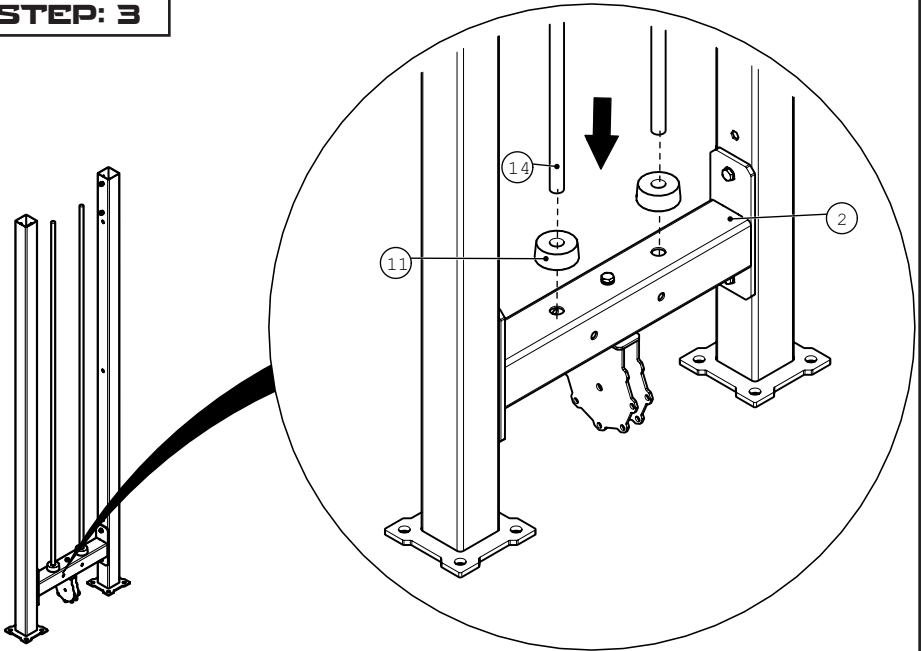


STEP: 2

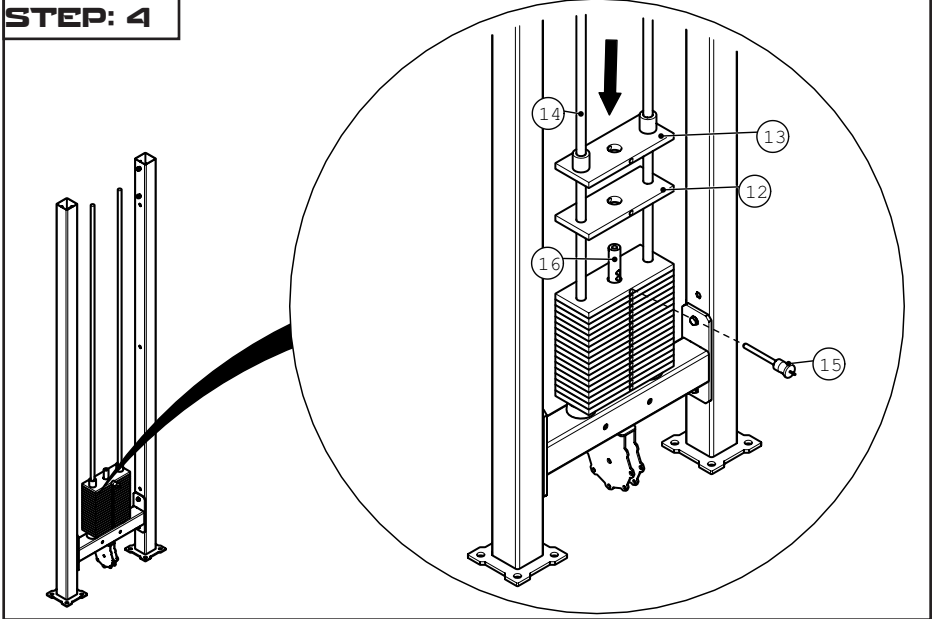


Assembly instruction:

STEP: 3

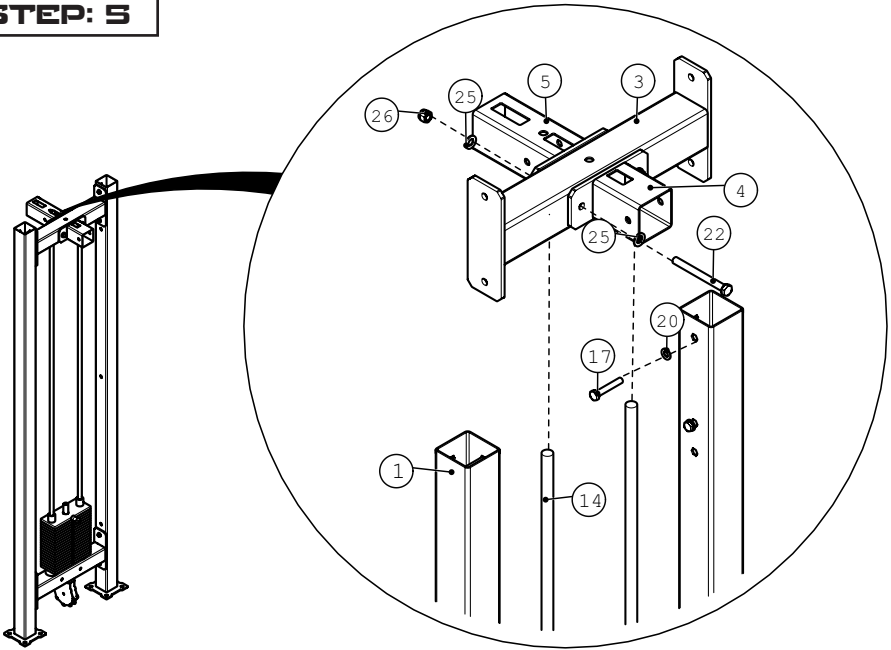


STEP: 4

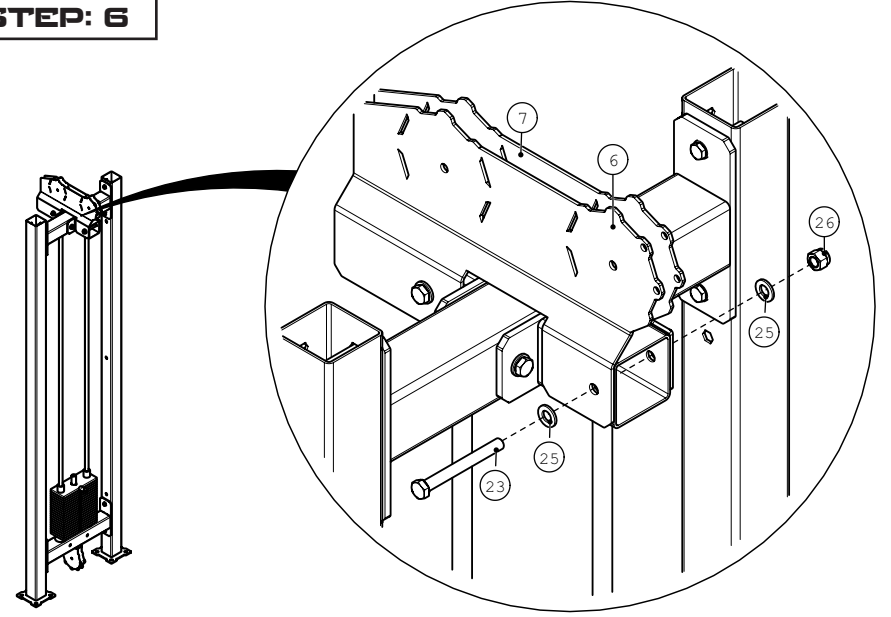


Assembly instruction:

STEP: 5

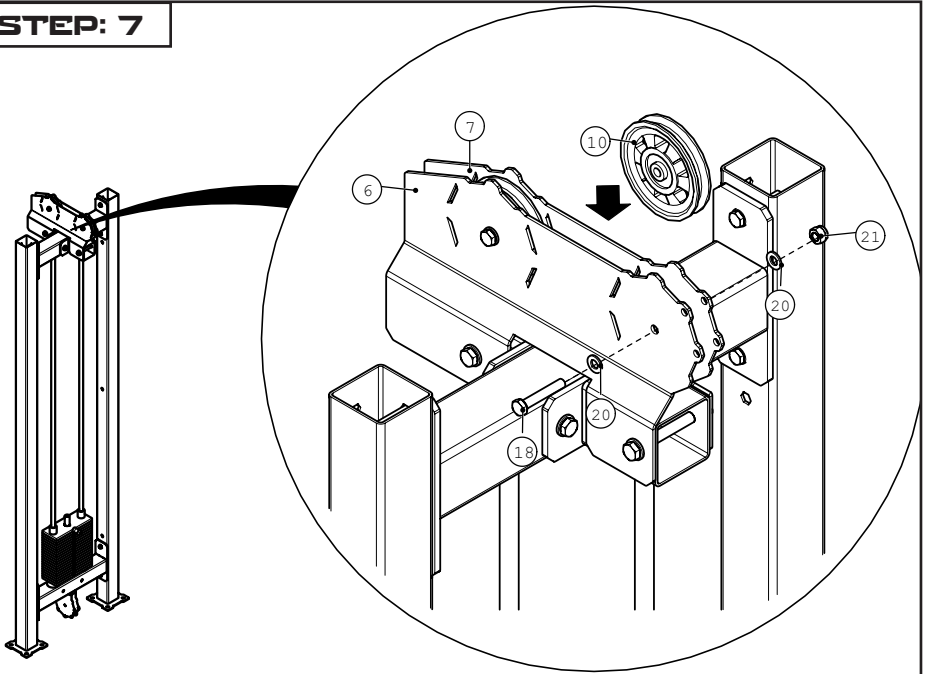


STEP: 6

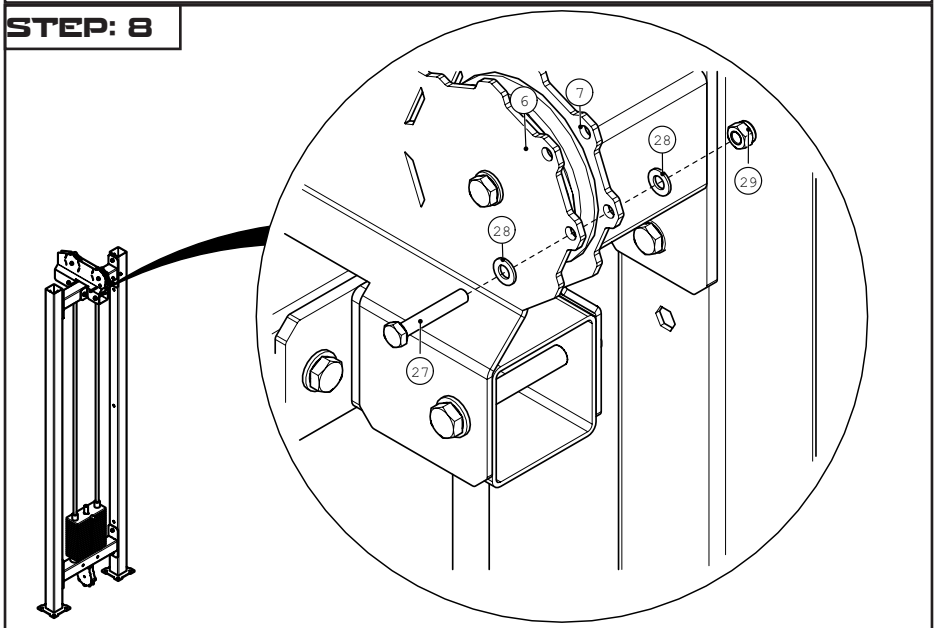


Assembly instruction:

STEP: 7

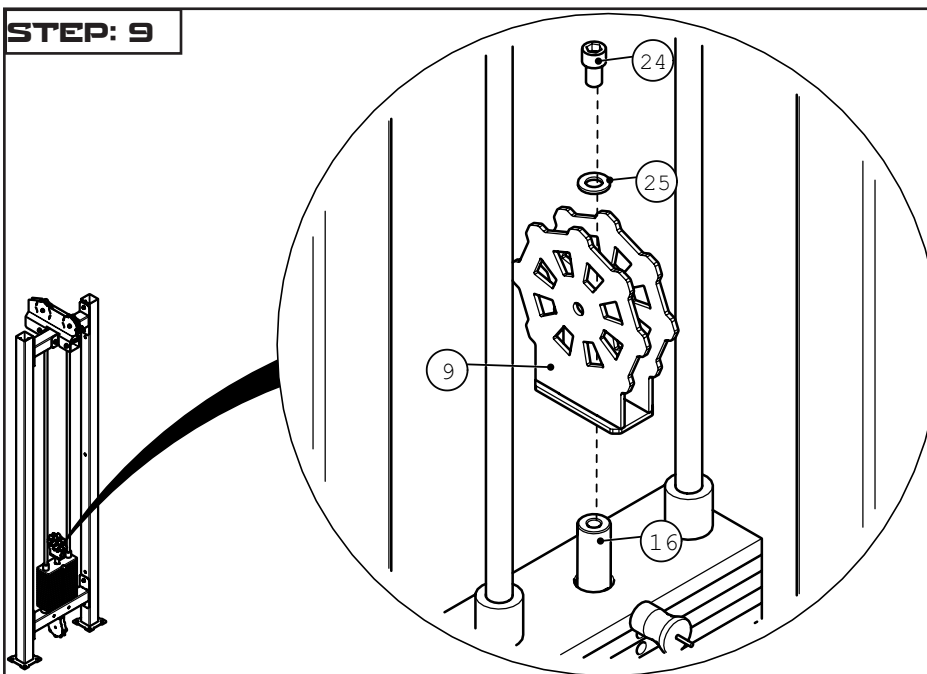


STEP: 8

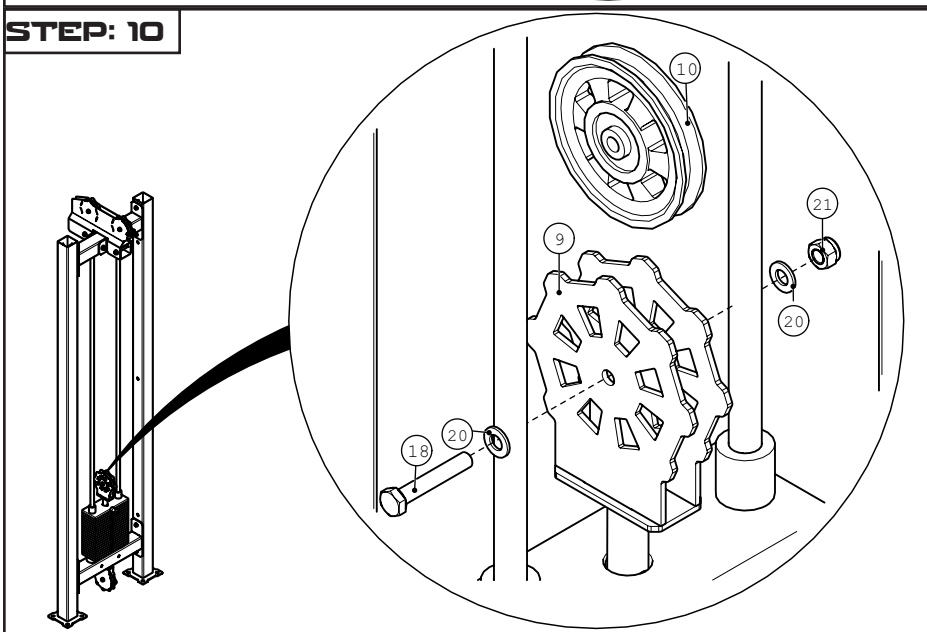


Assembly instruction:

STEP: 9

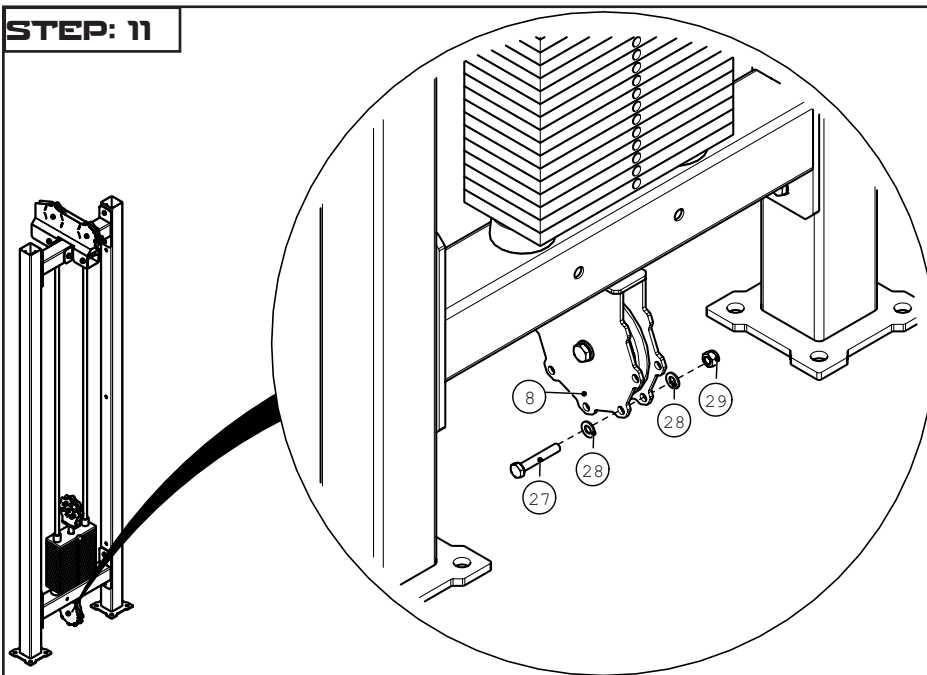


STEP: 10



Assembly instruction:

STEP: 11



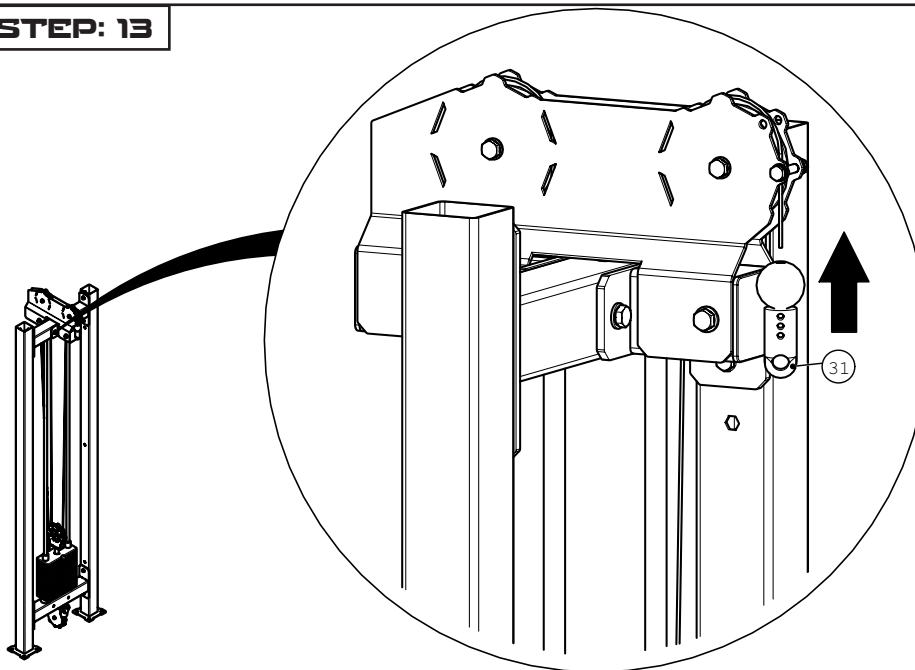
STEP: 12



**cable
path**

Assembly instruction:

STEP: 13



STEP: 14

